

SPS 135mm Heel-Friendly Lineal Grate & Crushed Edge Channel

Specification Codes:

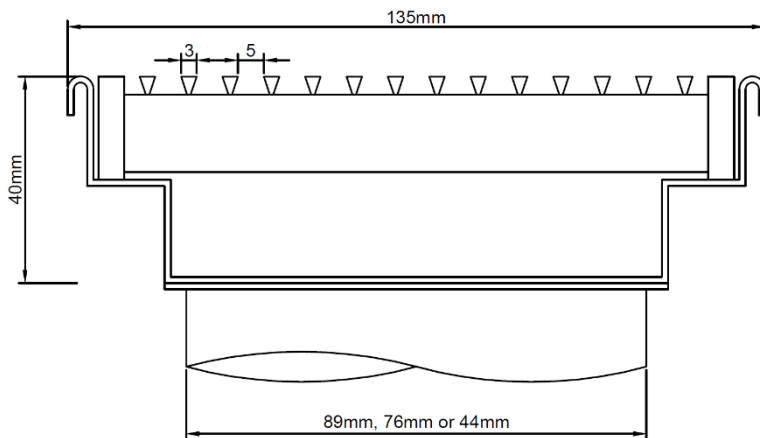
SSCE13540H – 135mm wide x 40mm deep (89mm, 76mm & 44mm outlets)

SSCE13575H – 135mm wide x 75mm deep (89mm, 76mm & 44mm outlets)

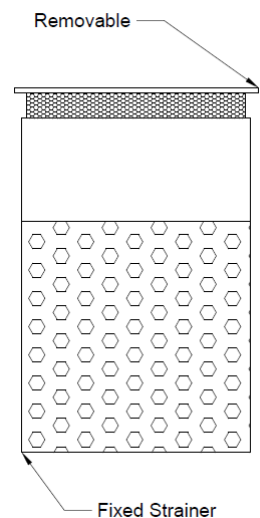
SSTBTO – Basket Trap outlet to suit *

- Architectural Heel-Friendly Grate
- Complete 316SS Assembly
- Coles Specified Grate
- Available with:
 - Basket Trap Outlet
 - Heavy Duty Grate

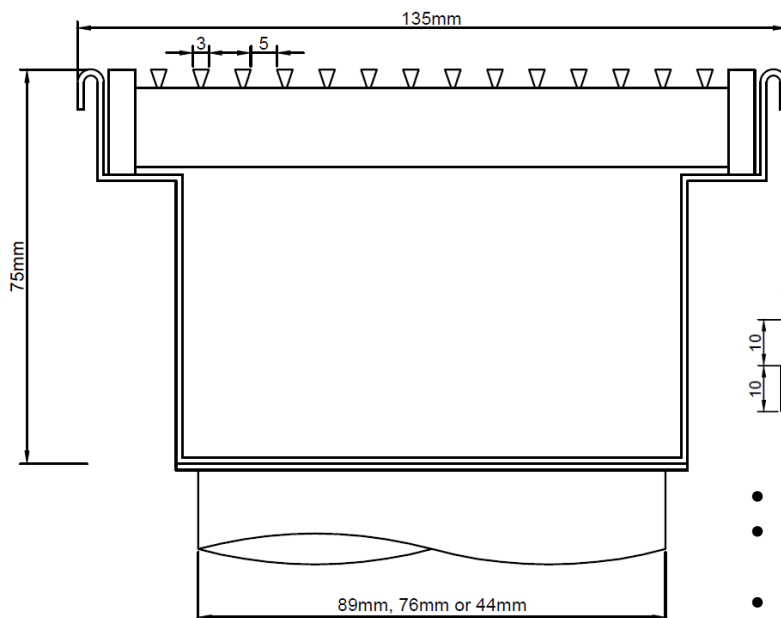
SSCE13540H:



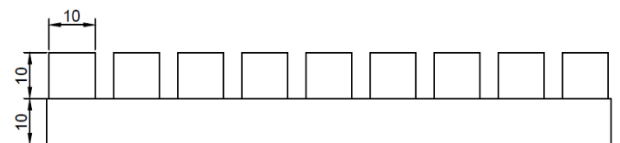
*SSTBTO:



SSCE13575H:



Heavy Duty Grate Option:



- Profile is designed for larger sizes of lineal grates
- Sizes start at 133mm and range up to 300mm wide
- Depths can differ to site requirements. We stock a shallow and deep version of each size and we can customise

DISCLAIMER – All SPS Lineal Grates come with a +/- tolerance of 2mm

Metabronze Industries Ltd

Office: 09 441 3824 Email: sales@metabronze.co.nz Website: www.metabronze.co.nz